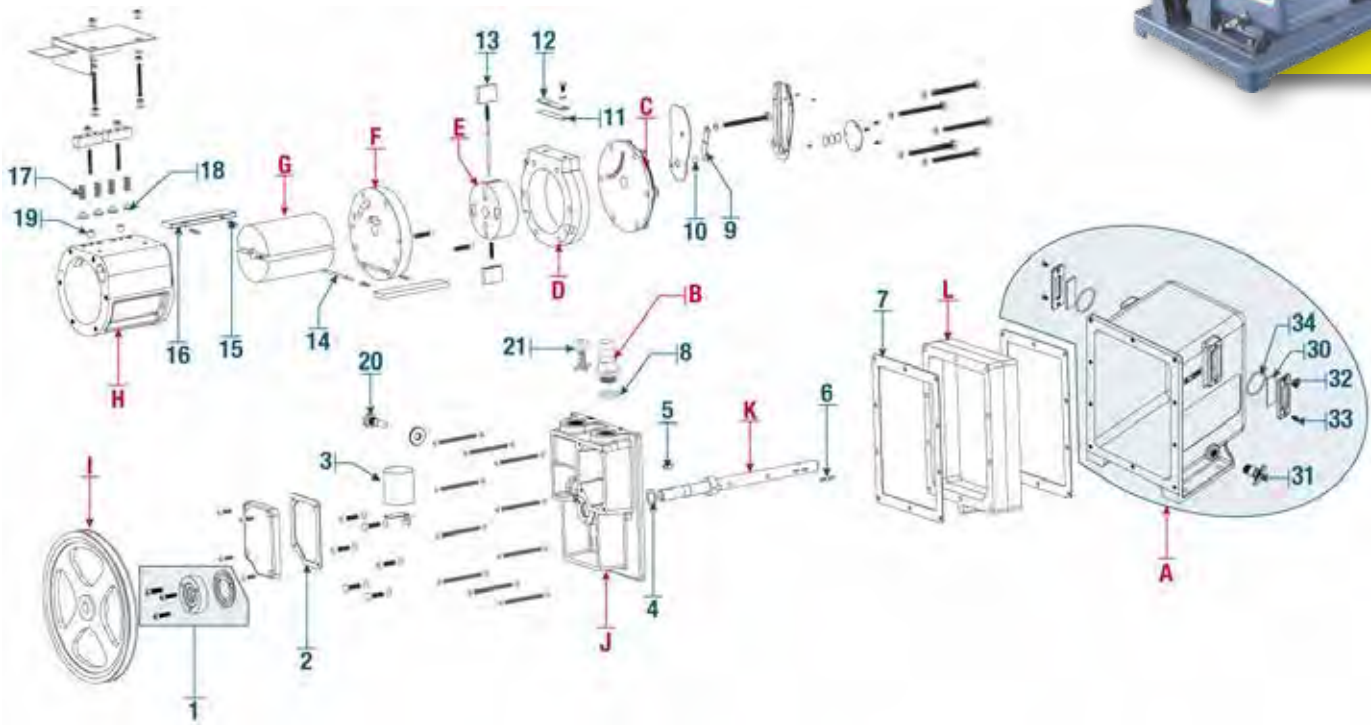


DUOSEAL® Belt-Drive Vacuum Pumps

Model 1376



Major Repair Kit CAT. No. 1376K-06 for Model 1376

ID	Qty.	Description
Major Repair Kit 1376K-06		
1	1	Mechanical Shaft Seal Kit, 3/4" CAT. No. 1401D
2	1	Gasket, Intake Chamber Cover
3	1	Intake Screen
4	1	Thrust Washer
5	2	Woodruff Key
6	2	Woodruff Key
7	2	Gasket, Oil Case
8	1	O-Ring
9	1	Pressure Release Valve
10	1	Ball Bearing
11	1	Exhaust Valve, Lower
12	1	Exhaust Valve, Upper
13	2	Vane, Small
14	3	Spring Holder
15	6	Spring for Vanes
16	2	Vane, Large
17	4	Valve Spring
18	4	Valve for Block
19	2	Spacer for Valve Block

Minor Repair Kit CAT. No. 1376K-05

Contains same as Major Kit 1376K-06 except vane ID No. 13 and 16.

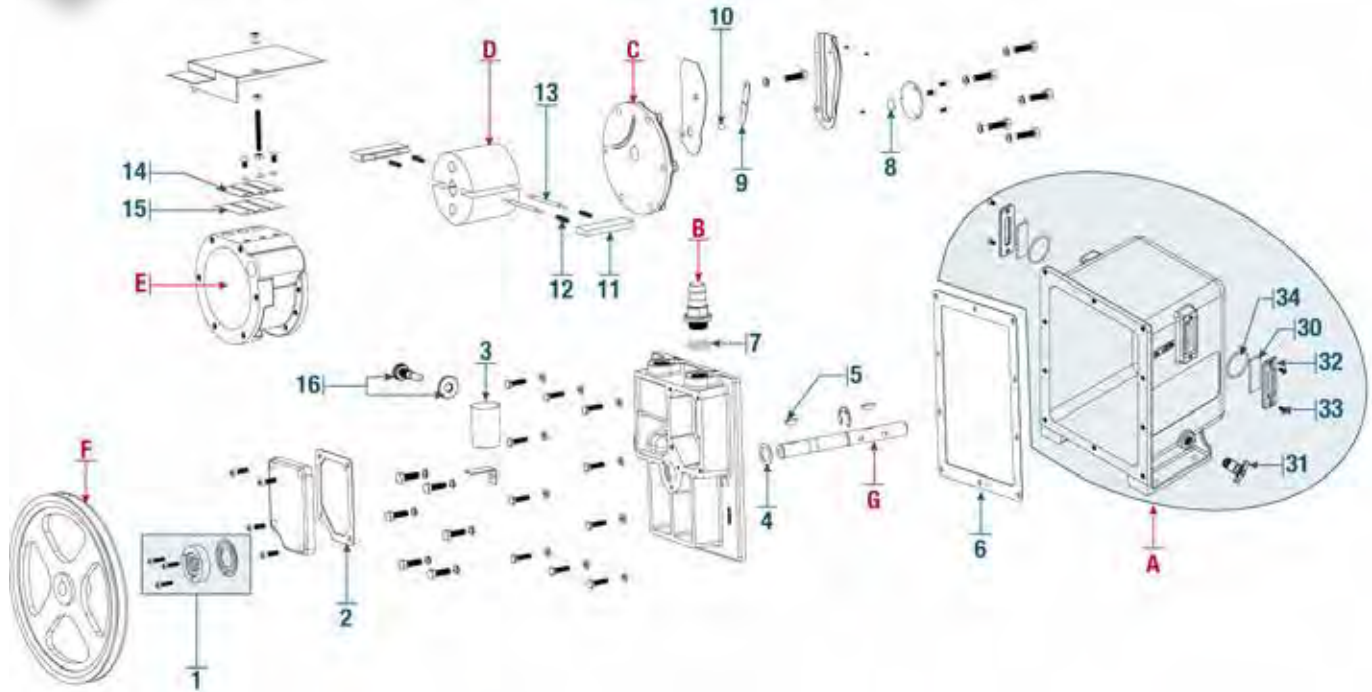
Individual Spare Parts for Model 1376

ID	Qty.	CAT. No.	Description	ID	Qty.	CAT. No.	Description
A	1	61-8101	Oil Case Assembly			★1407K-11	DuoSeal Vacuum Pump Oil -1 Qt.
B	1	1393K	Intake Hose Adapter Kit for 13/16" I.D. Hose			★1407K-15	DuoSeal Vacuum Pump Oil -1 Ga.
C	1	41-2045	Small End Plate			★331060-5	5' x 13/16" I.D. Vacuum Hose
D	1	61-8108D	Exhaust Ring	13	1	41-1487	Vane, Small (Requires 2)
E	1	41-1518	Small Rotor	16	1	41-1684	Vane, Large (Requires 2)
F	1	61-8250C	Center Plate			1371A-01	Belt Guard & Base Kit
G	1	41-1682	Large Rotor			61-8803	Belt Guard/Cover
H	1	41-1688	Large Ring	20	1	41-1736	Gas Ballast Valve
I	1	41-2074	Pump Pulley with Set Screw			41-0668	Motor Pulley with Set Screw
J	1	61-8685	Large End Plate	21	1	61-8912	Exhaust Plug/Cover
K	1	41-1683	Shaft			1401D-01	Shaft Lip Seal Kit, 3/4"
L	1	61-8687	Oil Case Spacer			61-8698	Pump Base
						41-1940A	1 HP Motor, 115/230V, 60Hz, 1Ph
				30	1	61-2229A	Oil Case Window (Requires 2)
1	1	★1401D	Mechanical Shaft Seal Kit, 3/4"	31	1	726130	Drain Valve
						61-2370	Oil Window Cover (Requires 2)
						61-1014	Screw (Requires 4)
						66-0304	O-Ring (Requires 4)
						★1417P-10	Standard Exhaust Filter
						★1417G	Replacement Exhaust Filter Element

★ - Suggested Spare and Consumable Parts

DuoSEAL® Belt-Drive Vacuum Pumps

Model 1380



Major Repair Kit CAT. No. 1380K-04 for Model 1380

ID	Qty.	Description
Major Repair Kit 1380K-04		
1	1	Mechanical Shaft Seal Kit, 3/4" CAT. No. 1401D
2	1	Gasket, Intake Chamber Cover
3	1	Intake Screen
4	1	Washer, Thrust
5	2	Woodruff Key
6	1	Gasket, Oil Case
7	1	O-Ring
8	3	Thrust Disk
9	1	Pressure Release Valve
10	1	Ball Bearing
11	2	Vane, Large
12	4	Vane, Spring
13	2	Spring Holder
14	3	Exhaust Valve, Upper
15	3	Exhaust Valve, Lower
16	1	Gas Ballast Valve
34	2	O-Ring

Minor Repair Kit CAT. No. 1380K-03

Contains same as Major Repair Kit 1380K-04 except vane ID No. 11.

Individual Spare Parts for Model 1380

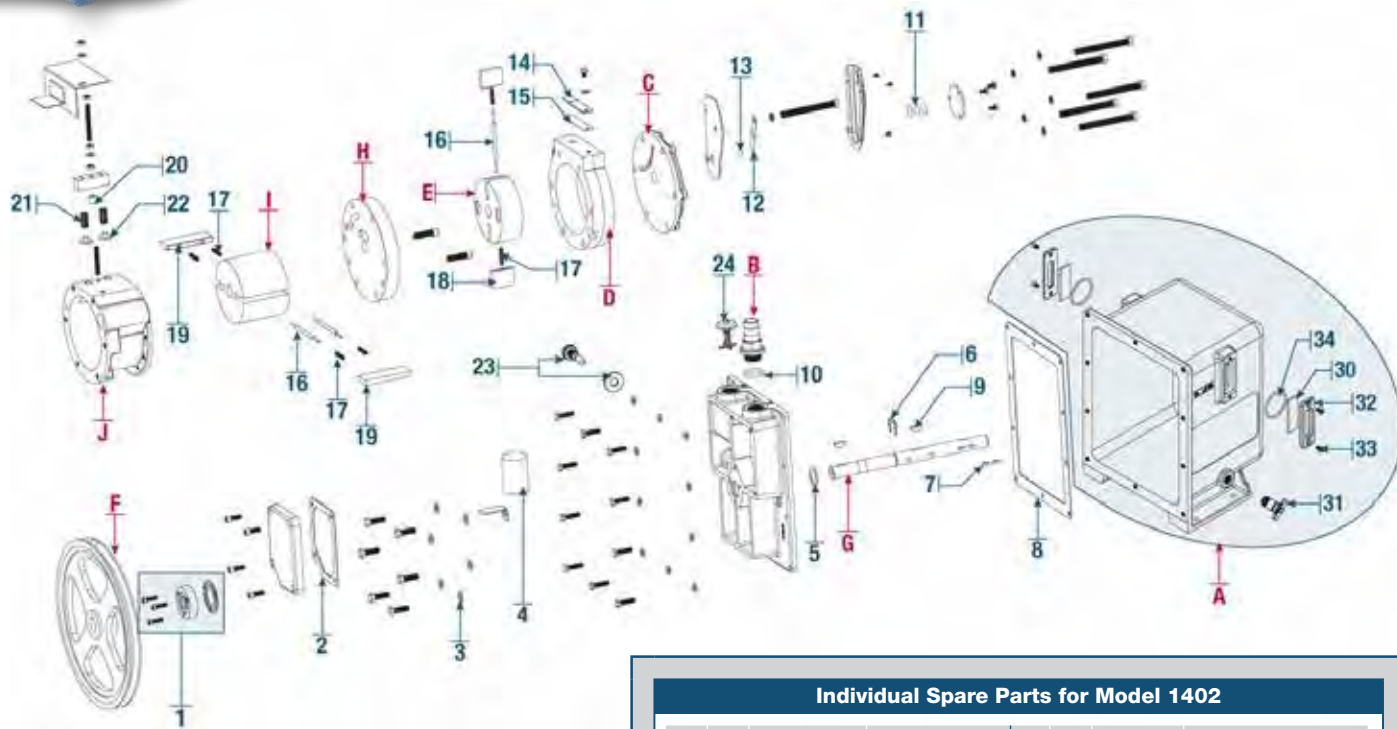
ID	Qty.	CAT. No.	Description	ID	Qty.	CAT. No.	Description
A	1	61-8101	Oil Case Assembly			★331060-5	5' x 13/16" I.D. Vacuum Hose
B	1	1393K	Intake Hose Adapter Kit for 13/16" I.D. Hose	11	1	41-0959	Vane, Large
C	1	41-2045	Small End Plate	1	1	1371A-01	Belt Guard & Base Kit
D	1	41-1771	Rotor	1	1	61-8803	Belt Guard/Cover
E	1	41-1772	Ring	1	1	41-0668	Motor Pulley with Set Screw
F	1	41-2074	Pump Pulley 'with Set Screw	1	1	61-8912	Exhaust Plug/Cover
G	1	41-1773	Shaft	1	1	1401D-01	Shaft Lip Seal Kit, 3/4"
				1	1	61-8698	Pump Base
1	1	★1401D	Mechanical Shaft Seal Kit, 3/4"	1	1	41-1907A	1/2 HP Motor, 115/230V, 60Hz, 1Ph
				1	1	★1405A	V-Belt
				30	1	61-2229A	Oil Window Glass (Requires 2)
				31	1	726130	Drain Valve
						★1417P-10	Standard Exhaust Filter
				32	1	61-2370	Oil Window Cover (Requires 2)
						★1417G	Replacement Exhaust Filter Element
				33	1	61-1014	Screw (Requires 4)
				34	1	66-0304	O-Ring (Requires 2)
						★1407K-11	DuoSeal Vacuum Pump Oil -1 Qt.
						★1407K-15	DuoSeal Vacuum Pump Oil -1 Ga.

★ - Suggested Spare and Consumable Parts

DuoSEAL® Belt-Drive Vacuum Pumps



Model 1402



Major Repair Kit CAT. No. 1402K-06 for Model 1402

ID	Qty.	Description	ID	Qty.	Description
Major Repair Kit 1402K-06					
1	1	Mechanical Shaft Seal Kit, 3/4" CAT. No. 1401D	13	1	Ball Bearing
2	1	Gasket Intake Chamber Cover	14	1	Exhaust Valve, Upper
3	6	Copper Washer	15	1	Exhaust Valve, Lower
4	1	Intake Screen	16	3	Spring Holder
5	1	Thrust Washer	17	6	Vane Spring
6	1	Rotor Clip for Shaft	18	2	Vane, Small
7	2	Woodruff Key	19	2	Vane, Large
8	1	Gasket, Oil Case	20	1	Spacer for Valve Block
9	2	Woodruff Key	21	2	Valve Spring
10	1	O-Ring	22	2	Valve for Block
11	3	Thrust Disk	Minor Repair Kit CAT. No. 1402K-05		
12	1	Pressure Release Valve	Contains same as Major Repair Kit 1402K-06 except vane ID No. 18 and 19.		

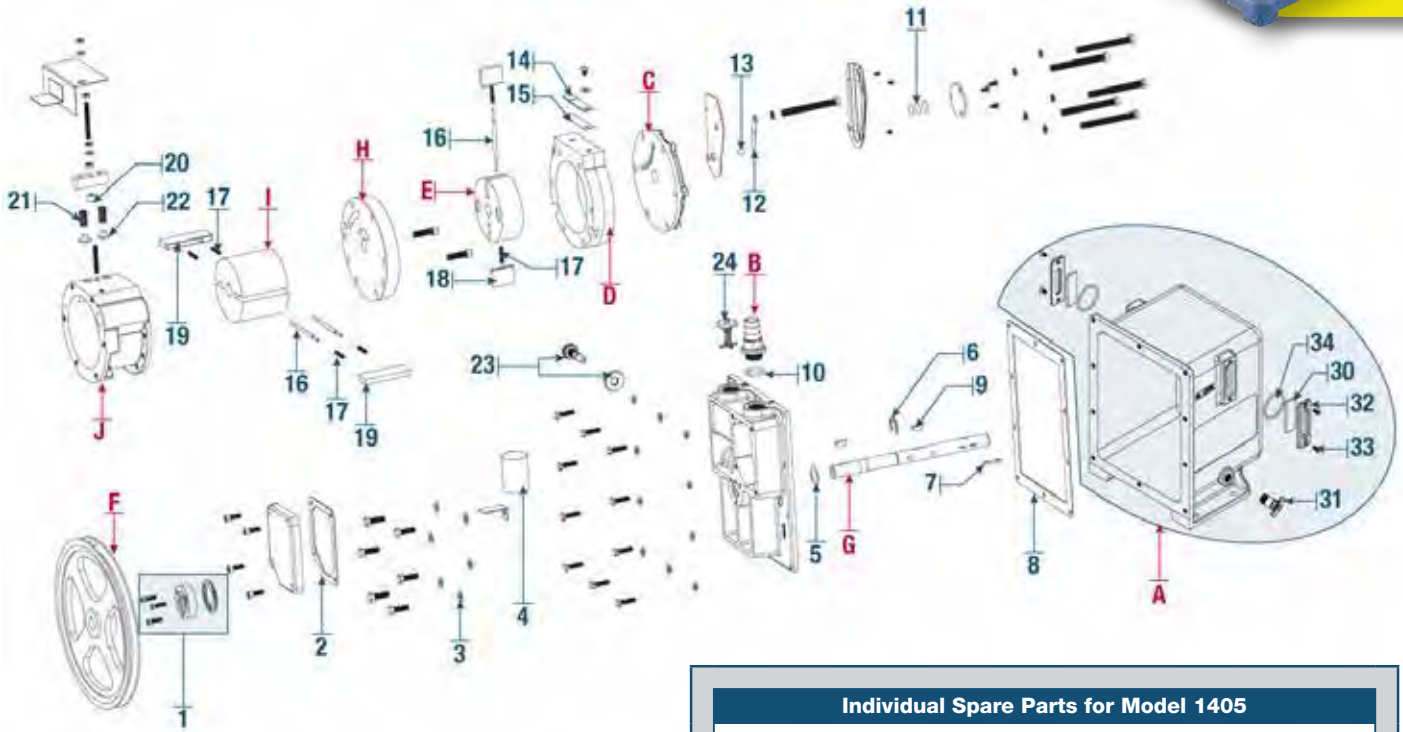
Individual Spare Parts for Model 1402

ID	Qty.	CAT. No.	Description	ID	Qty.	CAT. No.	Description
A	1	61-8101	Oil Case Assembly	18	1	41-1487	Vane, Small (Requires 2)
B	1	1393K	Intake Adapter for 13/16" I.D. Hose	19	1	41-0959	Vane, Large (Requires 2)
C	1	41-2045	Small End Plate		1	1371A-01	Belt Guard & Base Kit
D	1	61-8108D	Exhaust Ring		1	61-8803	Belt Guard/Cover
E	1	41-1518	Exhaust Rotor	23	1	41-1736	Gas Ballast Valve
F	1	41-2074	Pump Pulley with Set Screw		1	41-0668	Motor Pulley with Set Screw
G	1	41-2093	Shaft	24	1	61-8912	Exhaust Plug/Cover
H	1	61-8250C	Center Plate		1	1401D-01	Shaft Lip Seal Kit, 3/4"
I	1	41-2092	Intake Rotor		1	61-8698	Pump Base
J	1	61-8113C	Intake Ring		1	41-1907A	1/2 HP Motor, 115/230V, 60Hz, 1Ph
					2	61-2229A	Oil Window Glass (Requires 2)
1	1	★1401D	Mechanical Shaft Seal Kit, 3/4"	31	1	726130	Drain Valve
	1	★1405A	V-Belt	32	2	61-2370	Oil Window Cover (Requires 2)
		★1417P-10	Standard Exhaust Filter	33	4	61-1014	Screw (Requires 4)
		★1417G	Replacement Exhaust Filter Element	34	2	66-0304	O-Ring (Requires 2)
		★1407K-11	DuoSeal Vacuum Pump Oil -1 Qt.				
		★1407K-15	DuoSeal Vacuum Pump Oil -1 Ga.				
		★331060-5	5' x 13/16" I.D. Vacuum Hose				

★ - Suggested Spare and Consumable Parts

DUOSEAL® Belt-Drive Vacuum Pumps

Model 1405



Major Repair Kit CAT. No. 1402K-06 for Model 1405

ID	Qty.	Description	ID	Qty.	Description
Major Repair Kit 1402K-06					
1	1	Mechanical Shaft Seal Kit, 3/4" CAT. No. 1401D	13	1	Ball Bearing
2	1	Gasket Intake Chamber Cover	14	1	Exhaust Valve, Upper
3	6	Copper Washer	15	1	Exhaust Valve, Lower
4	1	Intake Screen	16	3	Spring Holder
5	1	Thrust Washer	17	6	Vane Spring
6	1	Rotor Clip for Shaft	18	2	Vane, Small
7	2	Woodruff Key	19	2	Vane, Large
8	1	Gasket, Oil Case	20	1	Spacer for Valve Block
9	2	Woodruff Key	21	2	Valve Spring
10	1	O-Ring	22	2	Valve for Block
11	3	Thrust Disk	Minor Repair Kit CAT. No. 1402K-05		
12	1	Pressure Release Valve	Contains same as Major Repair Kit 1402K-06 except vane ID No. 18 and 19.		

Individual Spare Parts for Model 1405

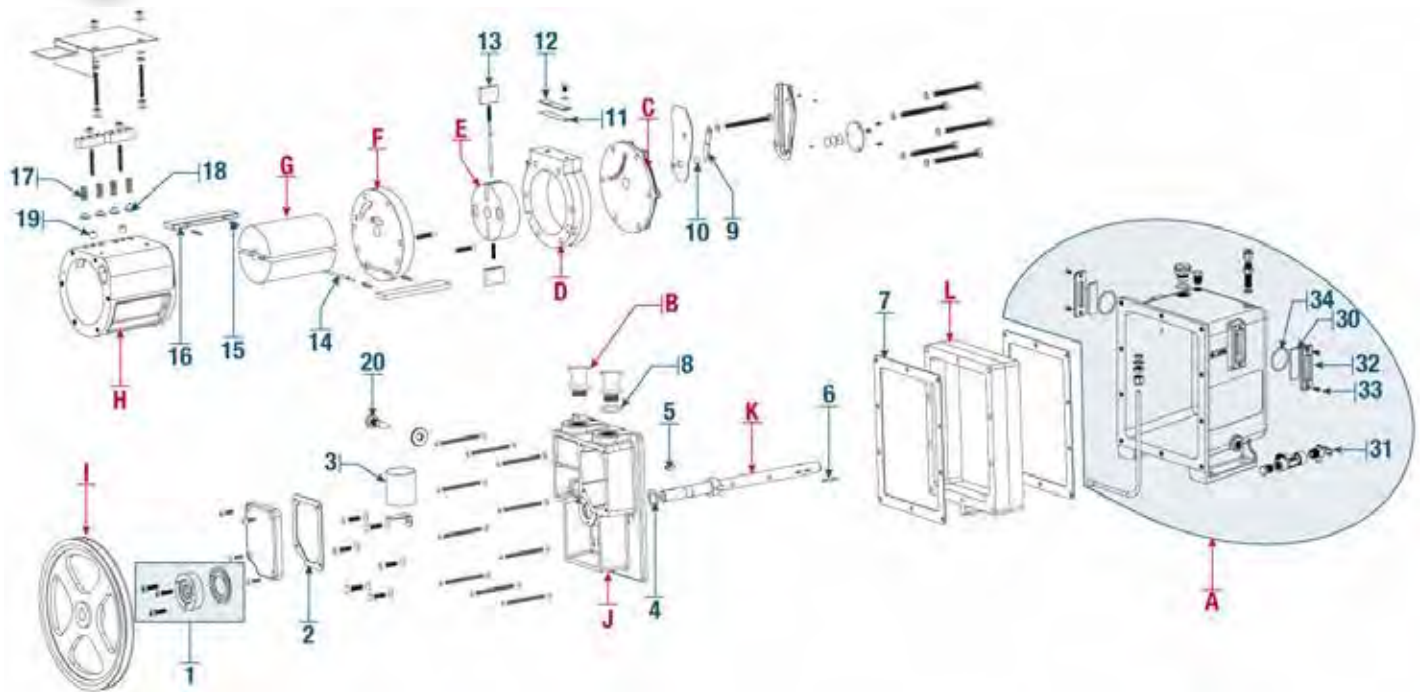
ID	Qty.	CAT. No.	Description	ID	Qty.	CAT. No.	Description
A	1	61-8101	Oil Case Assembly			★1407K-15	DuoSeal Vacuum Pump Oil -1 Ga.
B	1	1393K	Intake Hose Adapter Kit for 13/16" I.D. Hose			★331040-5	5' x 7/16" I.D. Vacuum Hose
C	1	41-2045	Small End Plate	18	1	41-1487	Vane, Small (Requires 2)
D	1	61-8108D	Exhaust Ring	19	1	41-0959	Vane, Large (Requires 2)
E	1	41-1518	Exhaust Rotor		1	1371A-01	Belt Guard & Base Kit
F	1	41-2074	Pump Pulley with Set Screw		1	61-8803	Belt Guard/Cover
G	1	41-2093	Shaft		1	41-0668	Motor Pulley with Set Screw
H	1	61-8250C	Center Plate		1	61-8912	Exhaust Plug/Cover
I	1	41-2092	Intake Rotor		1	1401D-01	Shaft Lip Seal Kit, 3/4"
J	1	61-8651	Intake Ring		1	61-8698	Pump Base
					1	41-1907A	1/2 HP Motor, 115/230V, 60Hz, 1Ph
1	1	★1401D	Mechanical Shaft Seal Kit, 3/4"	30	1	61-2229A	Oil Window Glass (Requires 2)
	1	★1405A	V-Belt	31	1	726130	Drain Valve
		★1417P-10	Standard Exhaust Filter	32	1	61-2370	Oil Window Cover (Requires 2)
		★1417G	Replacement Exhaust Filter Element	33	1	61-1014	Screw (Requires 4)
		★1407K-11	DuoSeal Vacuum Pump Oil -1 Qt.	34	1	66-0304	O-Ring (Requires 2)

★ - Suggested Spare and Consumable Parts

CHEMSTAR® Pumps for Corrosive Gases



Model 1376N



Major Repair Kit
CAT. No. 1376K-10 for Model 1376N

ID	Qty.	Description
Major Repair Kit 1376K-10		
1	1	Shaft Lip Seal Kit, 3/4" CAT. NO. 1401D-01
2	1	Gasket, Intake Chamber Cover
3	1	Intake Screen
4	1	Thrust Washer
5	2	Woodruff Key
6	2	Woodruff Key
7	2	Gasket, Oil Case
8	1	O-Ring
9	1	Pressure Release Valve
10	1	Ball Bearing
11	1	Exhaust Valve, Lower
12	1	Exhaust Valve, Upper
13	2	Vane, Small
14	3	Spring Holder
15	6	Spring for Vanes
16	2	Vane, Large
17	4	Valve Spring
18	4	Valve for Block
19	2	Spacer for Valve Block

Minor Repair Kit CAT. No. 1376K-09
 Contains same as Major Repair Kit 1376K-10 except vane ID No. 13 and 16.

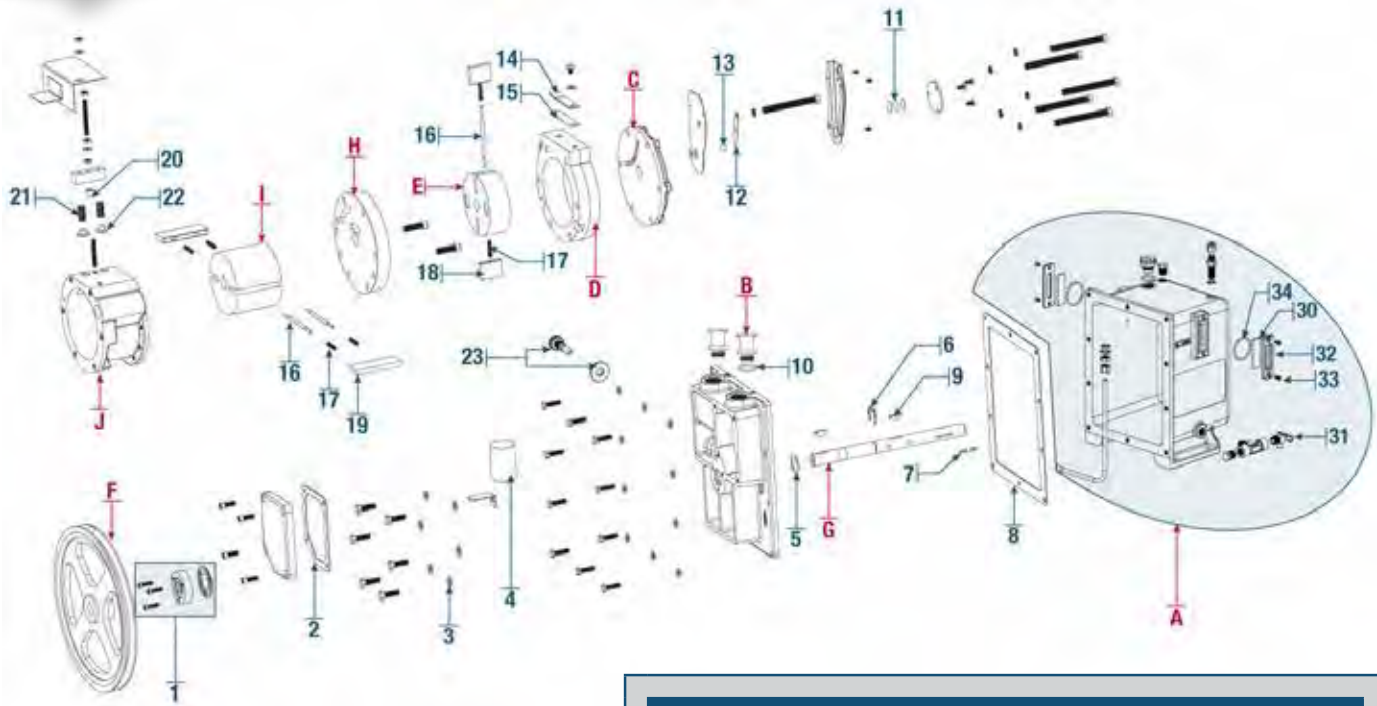
Individual Spare Parts for Model 1376N

ID	Qty.	CAT. No.	Description	ID	Qty.	CAT. No.	Description
A	1	61-8319B	Oil Case Assembly			★1417P-10	Standard Exhaust Filter
B	1	1393G	ISO NW 25 Adapter 1-20"			★1417G	Replacement Exhaust Filter Element
C	1	41-2045	Small End Plate			★8995G-11	Gold Vacuum Pump Oil -1 L.
D	1	61-8108D	Exhaust Ring			★8995G-15	Gold Vacuum Pump Oil -1 Ga.
E	1	41-1518	Small Rotor			★331060-5	5' x 13/16" I.D. Vacuum Hose
F	1	61-8250C	Center Plate		1	61-8803	Belt Guard/Cover
G	1	41-1682	Large Rotor		1	61-8698	Pump Base
H	1	41-1688	Large Ring		1	1371A-01	Belt Guard & Base Kit
I	1	41-2074	Pump Pulley with Set Screw	20	1	41-1736	Gas Ballast Valve
J	1	61-8684	Large End Plate		1	41-0668	Motor Pulley with Set Screw
K	1	41-1683	Shaft		1	41-1940A	1 HP Motor, 115/230V, 60Hz, 1Ph
L	1	61-8687	Oil Case Spacer	30	1	61-2229A	Oil Window Glass (Requires 2)
				31	1	726130	Drain Valve
1	1	★1401D-01	Shaft Lip Seal Kit, 3/4"	32	1	61-2370	Oil Window Cover (Requires 2)
	1	★1401D	Shaft Mechanical Seal Kit	33	1	61-1014	Screw (Requires 4)
	1	★1405A	V-Belt	34	1	66-0304	O-Ring (Requires 2)

★ - Suggested Spare and Consumable Parts

CHEMSTAR® Pumps for Corrosive Gases

Model 1402N



Major Repair Kit CAT. No. 1402K-10 for Model 1402N

ID	Qty.	Description	ID	Qty.	Description
Major Repair Kit 1402K-10					
1	1	Shaft Lip Seal Kit, 3/4" CAT. No. 1401D-01	14	1	Exhaust Valve, Upper
2	1	Gasket Intake Chamber Cover	15	1	Exhaust Valve, Lower
3	6	Copper Washer	16	3	Spring Holder
4	1	Intake Screen	17	6	Vane Spring
5	1	Thrust Washer	18	2	Vane, Small
6	1	Rotor Clip for Shaft	19	2	Vane, Large
7	2	Woodruff Key	20	1	Spacer for Valve Block
8	1	Gasket, Oil Case	21	2	Valve Spring
9	2	Woodruff Key	22	2	Valve for Block
10	1	O-Ring	Minor Repair Kit CAT. No. 1402K-09		
11	3	Thrust Disk	Contains same as Major Repair Kit 1402K-10 except vane I.D. No. 18 and 19.		
12	1	Pressure Release Valve			
13	1	Ball Bearing			

Individual Spare Parts for Model 1402N

ID	Qty.	CAT. No.	Description	ID	Qty.	CAT. No.	Description
A	1	61-8319B	Oil Case Assembly			★8995G-11	Gold Vacuum Pump Oil -1 L.
B	1	1393G	ISO NW 25 Adapter 1-20"			★8995G-15	Gold Vacuum Pump Oil -1 Ga.
C	1	41-2045	Small End Plate			★331060-5	5' x 13/16" I.D. Vacuum Hose
D	1	61-8108D	Exhaust Ring	18	1	41-1487	Vane, Small (Requires 2)
E	1	41-1518	Exhaust Rotor	19	1	41-0959	Vane, Large (Requires 2)
F	1	41-2074	Pump Pulley with Set Screw		1	1371A-01	Belt Guard & Base Kit
G	1	41-2093	Shaft		1	61-8803	Belt Guard/Cover
H	1	61-8250C	Center Plate	23	1	41-1736	Gas Ballast Valve
I	1	41-2092	Intake Rotor		1	41-0668	Motor Pulley with Set Screw
J	1	61-8113C	Intake Ring		1	61-8698	Pump Base
					1	41-1907A	1/2 HP Motor, 115/230V, 60Hz, 1Ph
1	1	★1401D-01	Shaft Lip Seal Kit, 3/4"	30	1	61-2229A	Oil Window Glass (Requires 2)
	1	★1401D	Shaft Mechanical Seal Kit	31	1	726130	Drain Valve
	1	★1405A	V-Belt	32	1	61-2370	Oil Window Cover (Requires 2)
		★1417P-10	Standard Exhaust Filter	33	1	61-1014	Screw (Requires 4)
		★1417G	Replacement Exhaust Filter Element	34	1	66-0304	O-Ring (Requires 2)

★ - Suggested Spare and Consumable Parts

Peristaltic - Fluid Transfer Pumps

Models 3100/3200

Replacement Cartridges for Models 3100/3200

Material	Silicone	PVC
Applications	Biofluids / Food	General Lab, Viscous Fluids
Tubing I.D. (Flow Rate Range)	Tubing Cartridges (5 each) CAT. No.	Tubing Cartridges (5 each) CAT. No.
1.6mm (3-30 ml/min) - 5 pack	3432K-01	3434K-01
3.2mm (10-130 ml/min) - 5 pack	3432K-02	3434K-02
4.8mm (30-300 ml/min) - 5 pack	3432K-04	3434K-04



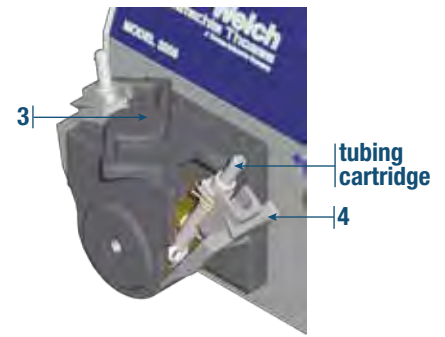
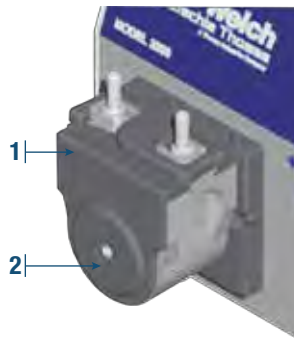
3100



3200

Service Kit CAT. No. 3200K-02 for Models 3100/3200

ID	Qty.	Description
1	1	Pump Head
2	1	Roller Carrier
3	1	Lock
4	1	Rolling Band



Index

Catalog No.	Page No.
1201E	46
1201T	46
1371A-01	19,20,24,25,26
1371A-01	26
1373K-05	36
1373K-06	36
1374	18
1374A	18
1374K-07	18
1374K-08	18
1376	19
1376B-46	36
1376K-05	19
1376K-06	19
1376K-09	26
1376K-10	26
1376K-46	36
1376K-47	36
1376N	26
1380	20
1380K-03	20
1380K-04	20
1393F	7,27
1393G	7,26,28
1393G	28
1393H	7
1393J	22,23
1393K	19,20,24,25
1393L	18,21
1393N	8
1393P	8
1393X	7,29
1397	21
1397A	21

Catalog No.	Page No.
1397B-46	36
1397K-07	21
1397K-08	21
1397K-46	36
1397K-47	36
1399	22
1399A	22
1399K-03	22
1399K-04	22
1400	23
1400A	23,27
1400K-03	23
1400K-04	23
1400K-09	27
1400K-10	27
1400N	27
1401D	19,20,24,25,26,28
1401D-01	19,20,24,25,26
1401E	22,23,27
1401E-01	22,23,27
1401F	18,21
1402	24
1402B-46	36
1402K-02	25
1402K-05	24,25
1402K-06	24
1402K-09	28
1402K-10	28
1402K-46	36
1402K-47	36
1402N	28
1405	25
1405A	19,20,24,25,26,28
1407K-11	3

Catalog No.	Page No.
1407K-15	3
1407K-20	3
1412C	13,51,52
1412D	13
1412E	13
1415B	13,42,51,52,53,54
1415C	13,51,52,53,54
1415D	13
1416B	12
1416C	12
1416C-01	12
1416D	12
1416E-01	10,12
1416E-02	10,12
1416H	12
1416H-01	12
1417	12,29
1417G	12
1417H-01	12
1417L	12,29
1417P-10	12
1417P-20	12
1417P-7	12
1417R	12
1417Y-05	12
1420H-01	11
1420H-02	11
1420H-14	10
1420H-17	11
1420H-18	11
1420H-19	11
1420H-20	10
1420H-21	10
1421	5

Catalog No.	Page No.
1421D	5
1423B	13,42
1426	45
1426K-01	45
1430A	11
1430B	11
1430C	11
1475K-01	55
1475K-02	55
1475K-03	55
1475K-04	55
1475K-05	55
1475K-06	55
1475K-07	55
1475K-08	55
1475K-09	55
1475K-10	55
1475K-20	55
1475K-21	11,55
1475K-22	11
1475K-23	11
1515	4
1515A	4
1515B	4
1520B-01	4
1520B-02	4
1520K-10	4
1520K-11	4
1525B-01	4
1525C-02	4
1525K-10	4
1525K-11	4
1801Z	46
2014	38