

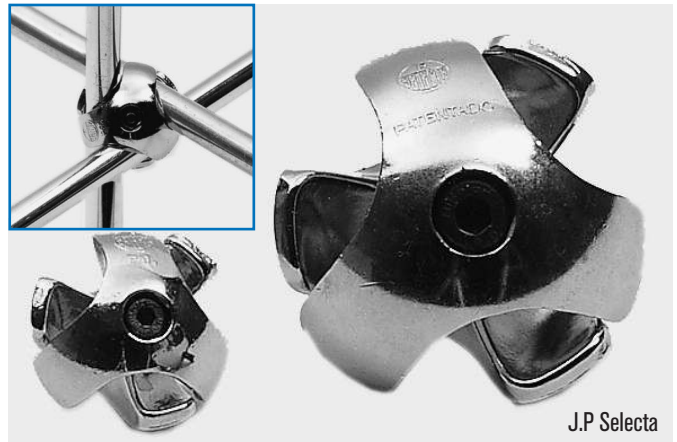


BOSSHEAD "P" TYPE

Nickel alloy bosshead.
For fixing perpendicular structures.
For 12 mm Ø bars.
Part No. **1000011**

ACCESSORY

Allen hex key. Suitable for "P" type bosshead.
Part No. **1000111**



J.P Selecta

ORIGINAL BOSSHEAD "TREVINGE"

Made of chrome plated "Dural" alloy.
Due to its strength, suitable for multilevel and three dimension constructions.
Part No. **7008133** For Ø of 9 to 13 mm.
Part No. **7008253** For Ø of 19 to 25 mm.



RODS AND TUBES

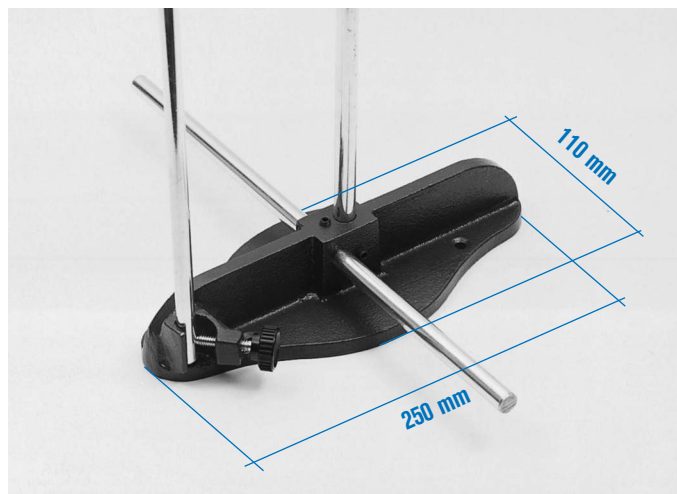
12 mm Ø bars and rods. To be used with the "TREVINGE" and "P" type bossheads.

Dur-aluminium rods.

Part No.	Length
6000026	60 mm.
6000220	200 mm.
6000235	350 mm.
6000270	700 mm.
6002100	1000 mm.
6002150	1500 mm.
6002200	2000 mm.
6002300	3000 mm.

AISI 304 stainless steel tube.

Part No.	Length
6000016	60 mm.
6000120	200 mm.
6000135	350 mm.
6000170	700 mm.
6001100	1000 mm.
6001150	1500 mm.
6001200	2000 mm.
6001300 (rod)	3000 mm.



UNIVERSAL MOUNTING BASE

Bench top multiple rod support.
Suitable for mounting and supporting vertical and horizontal bars.
Part No. **1000050**



MOUNTING FOOT SUPPORT FOR RODS

For rod Ø of 12 mm.
Part No. **1000101** Rod position horizontal.
Part No. **1000049** Rod position vertical.



SIMULTANEOUS FOOT SUPPORT

For rod Ø of 12 mm.
Simultaneous positions, horizontal and vertical.
Part No. **1001102**



BENCH CLAMP "PASS"

Original Phywe. Clamps to the bench while holding from 4 to 12 mm diameter rod. Bench top width up to 40mm.
Part No. **1394855**