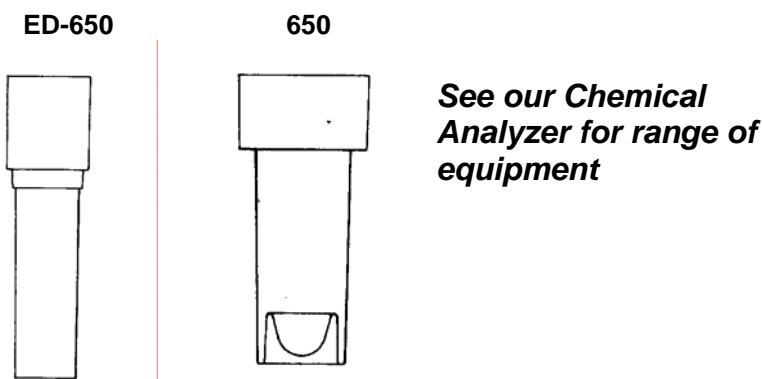


Auto Analysis Cups and Caps

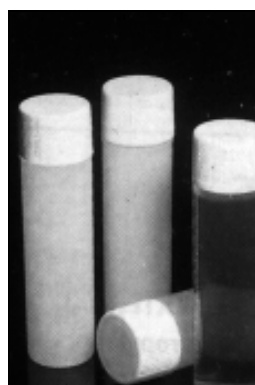
Precision molded and guaranteed to meet or exceed OEM specifications. All of our cups are manufactured of hi-grade polystyrene. The snug fitting cap is manufactured of low-density polyethylene.

Number	Description	Package	Price per unit, in quantities of:		
			1-10	11-25	25+
18152	4.0ml Polystyrene Cups for Technicon	1,000	28.00	24.00	20.00
18150	2.0ml Cup, Polystyrene, Clear, Technicon	1,000	15.20	13.75	12.60
650	Cup for Hitachi System, Polystyrene, Clear	5,000	128.70	115.80	105.00
ED-650*	"E"-Design Hitachi Cups,* Polystyrene, Clear	5,000	126.00	110.00	102.00

*A superior cup with 25% less plastic, reducing waste and enhancing fit, while cutting cost.



Plastic Scintillation Vials



Snaptwist Scintillation Vials (16 × 57mm): This general purpose tube can be used for liquid scintillation counting, gamma counting, chromatography, sample storage and culturing.

The vials can be securely sealed by simply snapping the caps on; removal requires an easy ¼ turn. A positive lock prevents the cap from popping off due to a small build-up of pressure in the vial. The quality of the sealing system is such that it is not necessary to tighten the closure with a lot of pressure to achieve a leak-proof seal.

Number	Description	Quantity	Price
S207	16 × 57mm (6.5ml) Polyethylene Snaptwist Scintillation Vials with Closure	1,000	141.49
S207-5	16 × 57mm (6.5ml) Polypropylene Snaptwist Scintillation Vials with Closure	1,000	157.22

Scintillation Vials 26 × 61mm: This shoulderless vial features a full width opening of 23mm for ease of access. Constructed of **Polypropylene Co-polymer** which has a high degree of resistance to organic solvents and sufficient translucence so that reagent levels or the presence of filter paper can be easily detected.

Number	Description	Packaging	Quantity	Price
S220	26 × 61 mm (20ml), Scintillation Vials, with Polyethylene Closure	Bulk (500)	500	129.44
S220-1	As Above	Tray/100	500	148.72

